
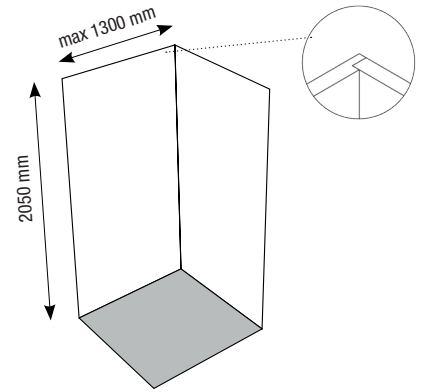



DZIGNSTONE
 PREMIUM SOLID SURFACE

Explanation 2 systems for Baseline low and Baseline high


 The maximum width per wall panel is 1300 mm. If your wall panel is **wider than 1300 mm, two panels are linked together**. There are 2 systems for this: Solid Filler and Solid Connect. You can easily cut Dzignstone panels using a rotary saw blade or a Widia/diamond saw blade. Holes can be drilled with a hole saw for a perfect result.



SOLID FILLER A V-JOINT EFFECT



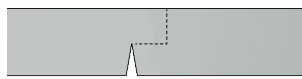
Sponge



Spatula



Installation video
Solid Filler



1,5 mm

SOLID CONNECT TOTAL BONDING



Solid Connect Gun



Plate tensioner



Installation video
Solid Connect

