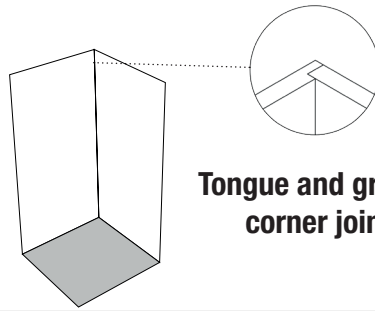


ORDER FORM WALL PANELS TONGUE AND GROOVE



Tongue and groove corner joint

Group Nivelles N.V.
Ambachtsweg 14
B-3890 Gingelom

Tel. +32 (0) 11 68 96 68
sales@groupnivalles.com
www.groupnivalles.com
BTW/VAT BE 0451.958.533

België:
BNP PARIBAS - FORTIS
IBAN BE48 0014 0185 64 27
BIC GEBABEBB

Nederland
ABN AMRO
IBAN NL49 ABNA 0449271862
BIC ABNANL2A

Order form solid surface wall panels with a tongue and groove corner joint

Date:	Internal order number:	Reference:
Point of sale:	Salesperson:	
Name installer:	Phone number installer:	
E-mail installer:		
Name end customer:	Phone end customer:	
E-mail customer:		

Wall panel type

<input type="checkbox"/> Base Line Low*	2050 mm	<input type="checkbox"/> Base Line High*	2500 mm
<input type="checkbox"/> Sky Line**	2300 mm	<input type="checkbox"/> Flow Line**	2600 mm
<input type="checkbox"/> Interior Line*	50-2500 mm	Height:	mm

* If your shower wall is wider than 1300 mm, two panels are connected to each other via a connection method of your choice.

** If your shower wall is wider than 2500 mm, two panels are connected to each other via a connection method of your choice.

Colours

<input type="checkbox"/> Wit	<input type="checkbox"/> Pergamon	<input type="checkbox"/> Concrete Light
<input type="checkbox"/> Concrete Dark	<input type="checkbox"/> Imitation Bluestone	<input type="checkbox"/> Terrazzo
<input type="checkbox"/>		

Connection method wall panels (couplings panels same plane)

<input type="checkbox"/> Tongue and groove joint Silk Finish (matt silicone) → Supply Silk Finish <input type="checkbox"/> No <input type="checkbox"/> Yes, amount:	
<input type="checkbox"/> Tongue and groove joint Solid Connect → Supply Solid Connect <input type="checkbox"/> No <input type="checkbox"/> Yes, amount:	
<input type="checkbox"/> Straight Solid Connect → Supply Solid Connect <input type="checkbox"/> No <input type="checkbox"/> Yes, amount:	
<input type="checkbox"/> Supply Silk Finish (maat silicone) (finishing corners between panel and shower tray) → Amount:	

ORDER FORM WALL PANELS TONGUE AND GROOVE



Group Nivelles N.V.
 Ambachtsweg 14
 B-3890 Gingelom

Tel. +32 (0) 11 68 96 68
 sales@groupnivalles.com
 www.groupnivalles.com
 BTW/VAT BE 0451.958.533

België:
 BNP PARIBAS - FORTIS
 IBAN BE48 0014 0185 64 27
 BIC GEBABEBB

Nederland
 ABN AMRO
 IBAN NL49 ABNA 0449271862
 BIC ABNANL2A

Wall panel configuration with a tongue and groove corner joint

<input type="checkbox"/> Rear wall	<input type="checkbox"/> L-shape (setup 1 or 2 - tick your choice)
	<div style="display: flex; justify-content: space-around;"> <div style="text-align: center;"> <input type="checkbox"/> <p>1</p> </div> <div style="text-align: center;"> <input type="checkbox"/> <p>2</p> </div> </div>

<input type="checkbox"/> U-shape (setup 1, 2 or 3 - tick your choice)	<input type="checkbox"/> U-shape with inside wall	<input type="checkbox"/> U-shape with outside wall
<div style="display: flex; justify-content: space-around;"> <div style="text-align: center;"> <input type="checkbox"/> <p>1</p> </div> <div style="text-align: center;"> <input type="checkbox"/> <p>2</p> </div> <div style="text-align: center;"> <input type="checkbox"/> <p>3</p> </div> </div>		

* The cross indicates the position of the tap holes, this panel should be placed first.

<input type="checkbox"/> U-shape with inside wall	<input type="checkbox"/> U-shape with outside wall

<input type="checkbox"/> Other configuration: sketch
<div style="background-color: #e0e0e0; border: 1px solid #ccc; width: 100%; height: 100%;"></div>

ORDER FORM WALL PANELS TONGUE AND GROOVE



Group Nivelles N.V.
 Ambachtsweg 14
 B-3890 Gingelom

Tel. +32 (0) 11 68 96 68
 sales@groupnivalles.com
 www.groupnivalles.com
 BTW/VAT BE 0451.958.533

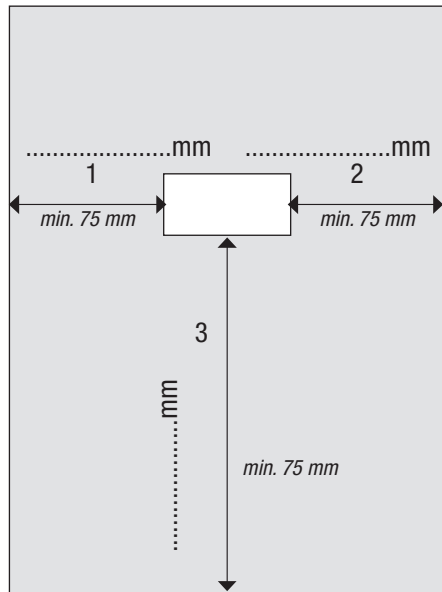
België:
 BNP PARIBAS - FORTIS
 IBAN BE48 0014 0185 64 27
 BIC GEBABEBB

Nederland
 ABN AMRO
 IBAN NL49 ABNA 0449271862
 BIC ABNANL2A

Accessories (optional)

Description	Width	Height	Depth
<input type="checkbox"/> Seat width 60 cm	600 mm	550 mm	250 mm
<input type="checkbox"/> Seat width 70 cm	700 mm	550 mm	250 mm
<input type="checkbox"/> Triangular shelf 15 cm	150 mm	20 mm	150 mm
<input type="checkbox"/> Triangular shelf 20 cm	200 mm	20 mm	200 mm
<input type="checkbox"/> Niche standard size (see placement) without lighting	zie plaatsing	332 mm	80 mm
<input type="checkbox"/> Niche standard size (see placement) with lighting	zie plaatsing	332 mm	80 mm
<input type="checkbox"/> Custom niche (see placement) mm mm mm

Placement nich in wall panel



Comments

Length standard niche:

- 332 mm 532 mm 982 mm

Wall in which the niche is to be placed:

- A B C Ander:

.....

.....

.....

.....

.....

.....

*Height of the niche is determined by the distance from the bottom of the niche to the top of the wall panel.
 Provide sufficient space behind the niche to place the panel.

Read and approved by installer,

Name:

Signature:

E-mail document completed in full to sales@groupnivalles.com