

ORDER FORM WALL PANELS STRAIGHT

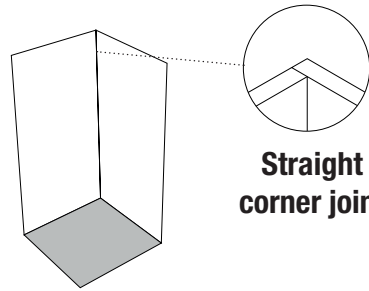


Group Nivelles N.V.
 Ambachtsweg 14
 B-3890 Gingelom

Tel. +32 (0) 11 68 96 68
 sales@groupnivelles.com
 www.groupnivelles.com
 BTW/VAT BE 0451.958.533

België:
 BNP PARIBAS - FORTIS
 IBAN BE48 0014 0185 64 27
 BIC GEBABEBB

Nederland
 ABN AMRO
 IBAN NL49 ABNA 0449271862
 BIC ABNANL2A



**Straight
corner joint**

Order form solid surface wall panels with a straight corner joint

Date:	Internal order number:	Reference:
Point of sale:		Salesperson:
Name installer:		Phone number installer:
E-mail installer:		
Name end customer:		Phone end customer:
E-mail customer:		

Wall panel type

<input type="checkbox"/> Base Line Low* 2050 mm	<input type="checkbox"/> Base Line High* 2500 mm
--	---

* If your shower wall is wider than 1300 mm, two panels are connected to each other via a connection method of your choice.

Colours

<input type="checkbox"/> Wit	<input type="checkbox"/> Pergamon	<input type="checkbox"/> Concrete Light
<input type="checkbox"/> Concrete Dark	<input type="checkbox"/> Imitation Bluestone	<input type="checkbox"/> Terrazzo
<input type="checkbox"/>		

Connection method wall panels > 1300 mm (couplings panels same plane) if applicable

<input type="checkbox"/> Silk Finish (matt silicone) → Supply Silk Finish <input type="checkbox"/> No <input type="checkbox"/> Yes, amount:		
<input type="checkbox"/> Solid Connect → Supply Solid Connect <input type="checkbox"/> No <input type="checkbox"/> Yes, amount:		
<input type="checkbox"/> Supply Silk Finish (finishing corners between panel and shower tray) → Amount:		

ORDER FORM WALL PANELS STRAIGHT



Group Nivelles N.V.
 Ambachtsweg 14
 B-3890 Gingelom

Tel. +32 (0) 11 68 96 68
 sales@groupnivalles.com
 www.groupnivalles.com
 BTW/VAT BE 0451.958.533

België:
 BNP PARIBAS - FORTIS
 IBAN BE48 0014 0185 64 27
 BIC GEBABEBB

Nederland
 ABN AMRO
 IBAN NL49 ABNA 0449271862
 BIC ABNANL2A

Wall panel configuration with a straight corner joint

<input type="checkbox"/> Rear wall	<input type="checkbox"/> L-shape*	<input type="checkbox"/> U-shape*

* in the corner(s) the longest wall ALWAYS runs behind the shortest

Other configuration: sketch

ORDER FORM WALL PANELS STRAIGHT



Group Nivelles N.V.
 Ambachtsweg 14
 B-3890 Gingelom

Tel. +32 (0) 11 68 96 68
 sales@groupnivalles.com
 www.groupnivalles.com
 BTW/VAT BE 0451.958.533

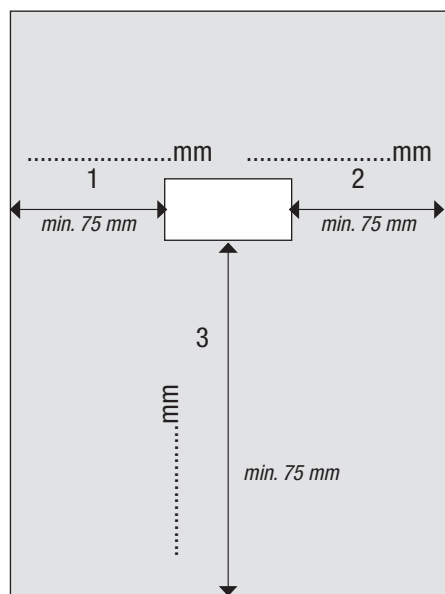
België:
 BNP PARIBAS - FORTIS
 IBAN BE48 0014 0185 64 27
 BIC GEBABEBB

Nederland
 ABN AMRO
 IBAN NL49 ABNA 0449271862
 BIC ABNANL2A

Accessories (optional)

Description	Width	Height	Depth
<input type="checkbox"/> Seat width 60 cm	600 mm	550 mm	250 mm
<input type="checkbox"/> Seat width 70 cm	700 mm	550 mm	250 mm
<input type="checkbox"/> Triangular shelf 15 cm	150 mm	20 mm	150 mm
<input type="checkbox"/> Triangular shelf 20 cm	200 mm	20 mm	200 mm
<input type="checkbox"/> Niche standard size (see placement) without lighting	zie plaatsing	332 mm	80 mm
<input type="checkbox"/> Niche standard size (see placement) with lighting	zie plaatsing	332 mm	80 mm
<input type="checkbox"/> Custom niche (see placement) mm mm mm

Placement nich in wall panel



Comments

Length standard niche:

- 332 mm 532 mm 982 mm

Wall in which the niche is to be placed:

- A B C Ander:

.....

.....

.....

.....

.....

.....

*Height of the niche is determined by the distance from the bottom of the niche to the top of the wall panel.
 Provide sufficient space behind the niche to place the panel.

Read and approved by installer,

Name:

Signature:

E-mail document completed in full to sales@groupnivalles.com