

ORDER FORM CUSTOM SILICONE-FREE SHOWER



Group Nivelles N.V.
 Ambachtsweg 14
 B-3890 Gingelom

Tel. +32 (0) 11 68 96 68
 sales@groupnivalles.com
 www.groupnivalles.com
 BTW/VAT BE 0451.958.533

België:
 BNP PARIBAS - FORTIS
 IBAN BE48 0014 0185 64 27
 BIC GEBABEBB

Nederland
 ABN AMRO
 IBAN NL49 ABNA 0449271862
 BIC ABNANL2A

Order form silicone-free shower

Date:	Internal order number:	Reference:
Point of sale:	Salesperson:	
Name installer:	Phone number installer:	
E-mail installer:		
Name end customer:	Phone number end customer:	
E-mail end customer:		

Wall panel type

<input type="checkbox"/> Base Line Low* 2050 mm	<input type="checkbox"/> Base Line High* 2500 mm
--	---

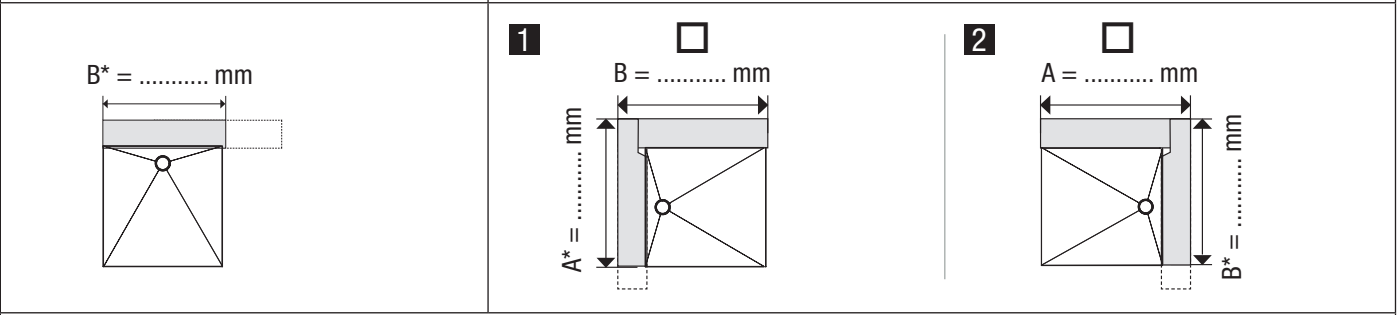
** Only available in Solid Surface White
 ** If your shower wall is wider than 1300 mm, two panels are connected to each other with Solid Connect.

Add the necessary tubes of polymer adhesive?

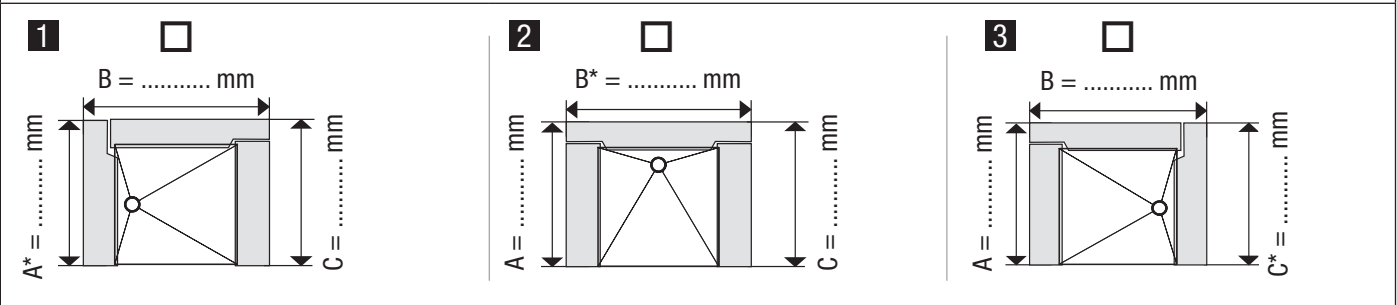
<input type="checkbox"/> Yes	<input type="checkbox"/> No
------------------------------	-----------------------------

Wall panel configuration

<input type="checkbox"/> Rear wall	<input type="checkbox"/> L-shape (setup 1 or 2 - tick your choice)
------------------------------------	--



<input type="checkbox"/> U-shape (setup 1, 2 or 3 - tick your choice)



* This wall panel should be placed first.

ORDER FORM CUSTOM SILICONE-FREE SHOWER

**Group Nivelles N.V.**

Ambachtsweg 14
B-3890 Gingelom

Tel. +32 (0) 11 68 96 68
sales@groupnivalles.com
www.groupnivalles.com
BTW/VAT BE 0451.958.533

België:
BNP PARIBAS - FORTIS
IBAN BE48 0014 0185 64 27
BIC GEBABEBB

Nederland
ABN AMRO
IBAN NL49 ABNA 0449271862
BIC ABNANL2A

Read and approved by installer,

Name:

Signature:

E-mail document completed in full to sales@groupnivalles.com