

I-DRAIN® LINEAR 54 & 72

> With pre-applied waterproofing membrane of 330 mm

I-DRAIN® offers you ingenious and innovative shower drains to take care of water drainage from your shower space, expertly and elegantly.

With a built-in height of 54 mm* for its Linear Drains, I-DRAIN® offers the smallest built-in height on the market. This makes it ideally suitable for both renovations and new builds.

Deep drawn — stainless steel 316

Pre-applied waterproofing membrane

DDS (Double Drain System)

Built-in height — 54 mm & 72 mm

DN 40/50 — water seal 30/50

Capacity — 26.4 l/min. (1 siphon) to 45 l/min. (2 siphons)

Use with any tile finish — 3 mm to 30 mm

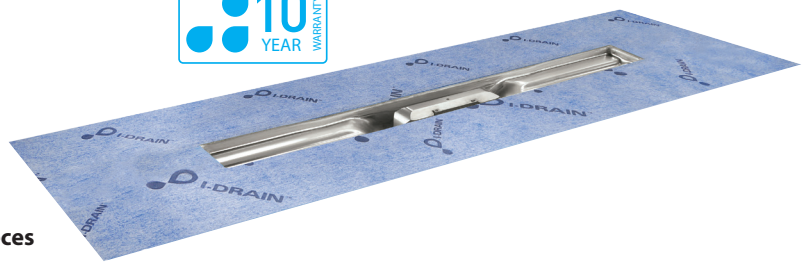
Tested — 25 years of durability!

Compatible with **liquid waterproofing**

Removable and dismantable siphon

Connect all drains with the **straight or 90° connector pieces**

Included: I-Buddy installation mould and tile mould



Certified:

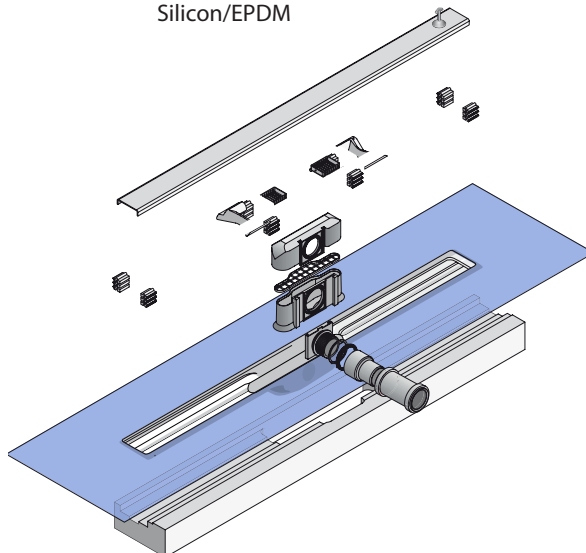
SP tested: 25 years watertight adhesion of the membrane with the drain

EN1253, CE Certified, ISO 9001

Etag 022 & LGA (for Linear 72)

> Specifications

Waterseal height	30 mm / 50 mm
Output	40 mm / 50 mm
Capacity	0,44 l/s - 0,75 l/s
Drain	Stainless steel
Grating	To be ordered separately
Inner screw part	Nylon
Outside screw part	ABS PC
Siphon complete	ABS
Grating supports	ABS
Sealant rings	Silicon/EPDM



Available in 7 dimensions:

- 600 mm
- 700 mm
- 800 mm
- 900 mm
- 1000 mm
- 1100 mm
- 1200 mm

Included in I-DRAIN® box

- 1x integrated waterproofing membrane
- 1x siphon with strainer
- 1x drain stainless steel
- 2 x water buffers
- 1 x connector Ø 40 or 50
- 24 x grating riser blocks 5 mm
- 12 x grating riser blocks 2,5 mm
- 1x I-Buddy installation mould
- 1x tile mould
- 1x grating suction cup
- 2x corners ABS
- mounting instructions