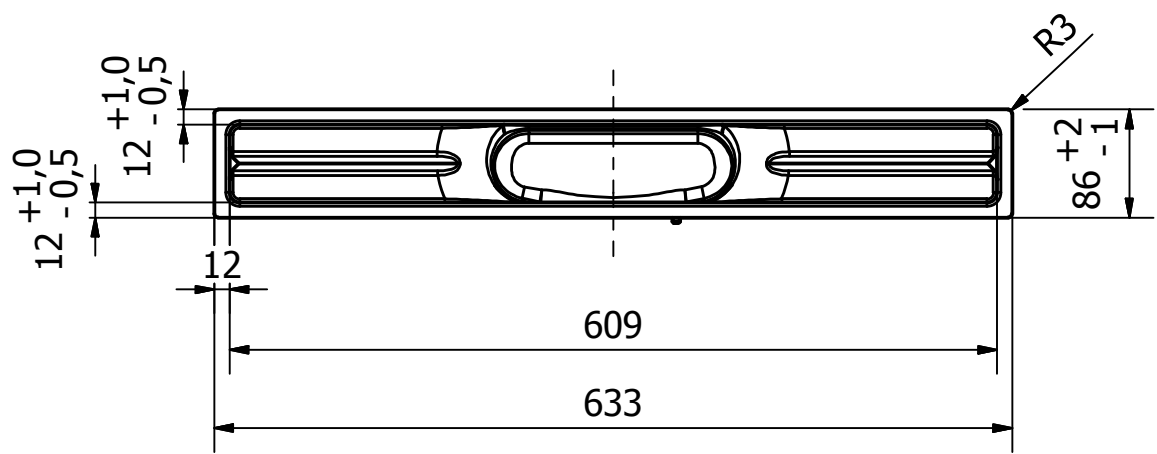
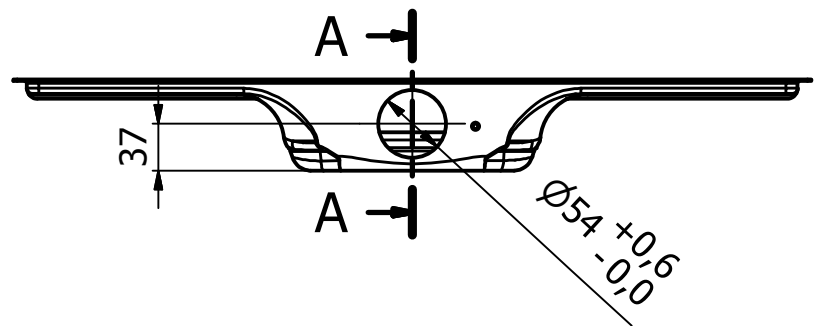
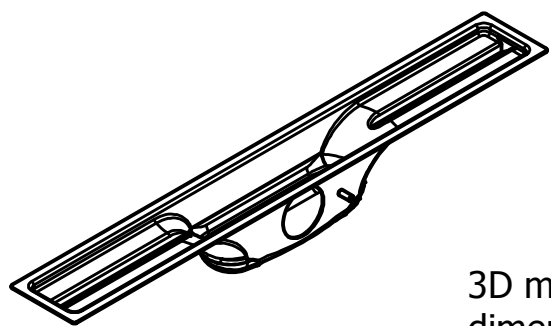
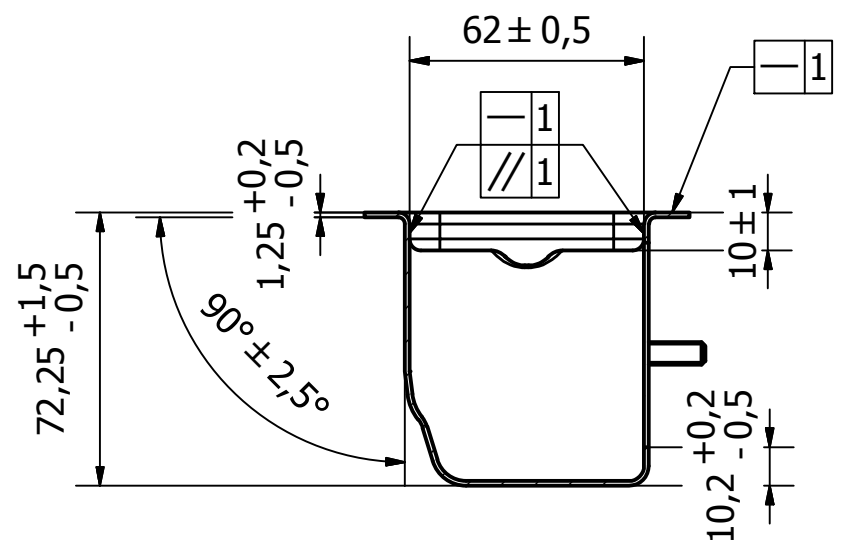


Overall tolerance  
 0-100 +/- 0.5  
 100-500 +/- 1  
 500-1000 +/- 1.5



A-A ( 1/2 )



3D model is leading not mentioned dimensions following overall tolerance of NEN-ISO 2768-1 class m

		Group Nivelles N.V. Ambachtsweg 14 3890 Gingelom Tel: +32 (0) 11 68 96 68 Fax: +32 (0) 11 68 50 86 E-mail: info@groupnivelles.com		<b>GROUP NIVELLES</b>	
PROJECT:ID5M06001X1	Tol: ISO-2768-C	Datum: 1/04/2016	A4		
Omschrijving:ID5M06001X1	Tekenaar: Roel	Materiaal: RVS 316	Schaal: 1/6		
Goedkeuring:	Tekening:ID5M06001X1.dwg	Rev.2			