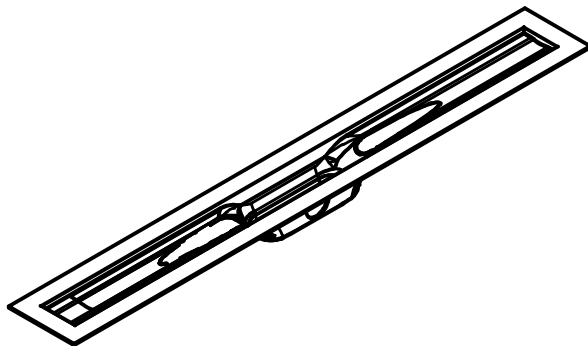
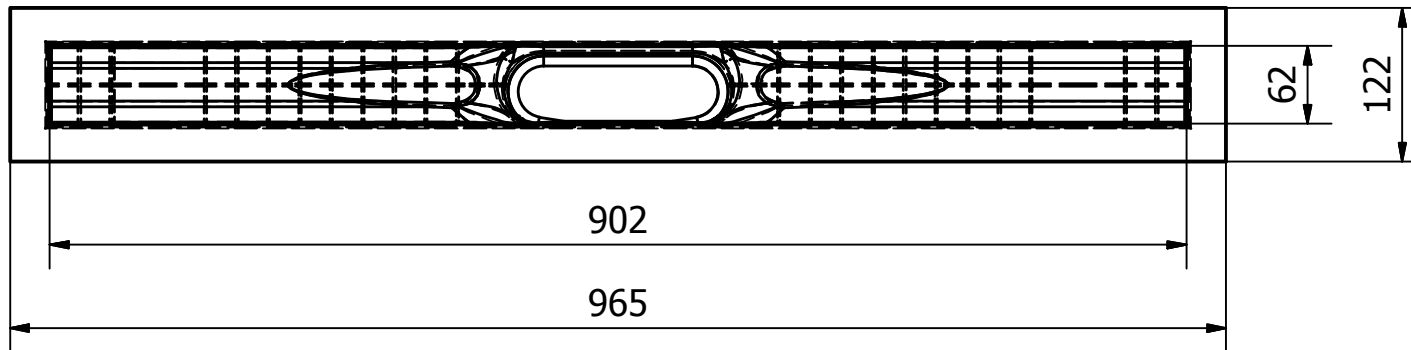
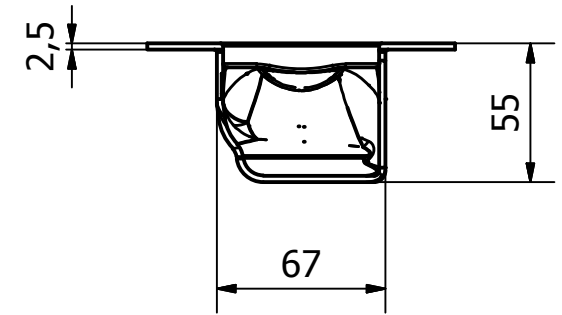


A-A (1/3)



THIS DOCUMENT CONTAINS CONFIDENTIAL AND PROPRIETARY INFORMATION THAT CANNOT BE REPRODUCED OR DIVULGED IN WHOLE OR IN PART, WITHOUT WRITTEN AUTHORIZATION FROM GROUP NIVELLES N.V.



Group Nivelles N.V.
Ambachtsweg 14
3890 Gingelom
Tel: +32 (0) 11 68 96 68
Fax: +32 (0) 11 68 50 86
E-mail: info@groupnivalles.com

**GROUP
NIVELLES**

| | | | |
|-----------------------------|-----------------------------|------------------|-------|
| PROJECT:IDABS4M09001X1 | Tol: +/-ISO-2768-C | Datum: 4/12/2014 | A4 |
| Omschrijving:IDABS4M09001X1 | Tekenaar: Roel | Materiaal: ABS | 1/6 |
| Goedkeuring: | Tekening:IDABS4M09001X1.dwg | | Rev.0 |