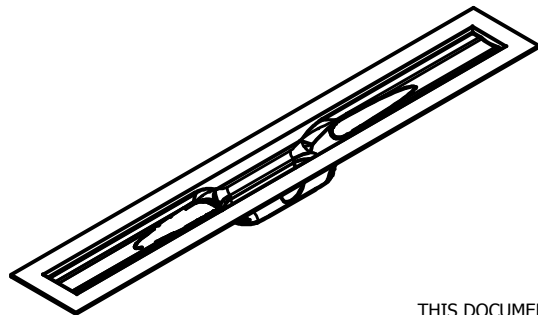
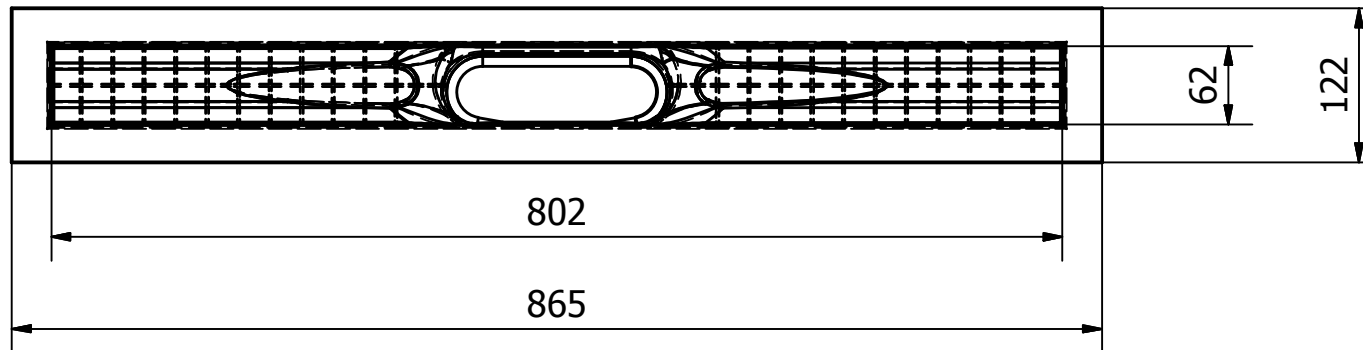
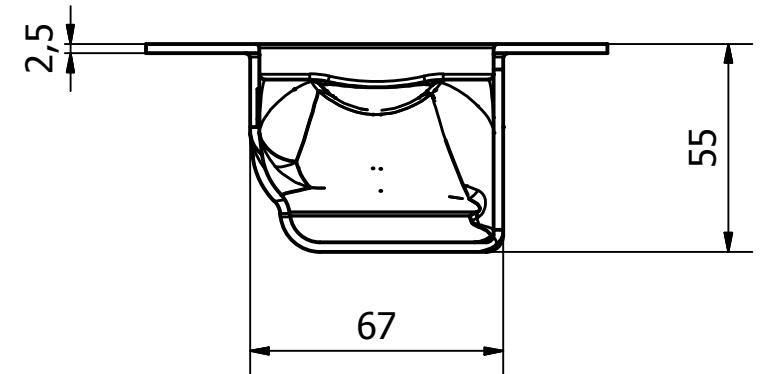


A-A ( 1/2 )



THIS DOCUMENT CONTAINS CONFIDENTIAL AND PROPRIETARY INFORMATION THAT CANNOT BE REPRODUCED OR DIVULGED IN WHOLE OR IN PART, WITHOUT WRITTEN AUTHORIZATION FROM GROUP NIVELLES N.V.



Group Nivelles N.V.  
Ambachtsweg 14  
3890 Gingelom  
Tel: +32 (0) 11 68 96 68  
Fax: +32 (0) 11 68 50 86  
E-mail: info@groupnivelles.com

**GROUP  
NIVELLES**

PROJECT:IDABS4M08001X1	Tol: +/-ISO-2768-C	Datum: 4/12/2014	A4
Omschrijving:IDABS4M08001X1	Tekenaar: Roel	Materiaal: ABS	1/6
Goedkeuring:	Tekening:IDABS4M08001X1.dwg		Rev.0