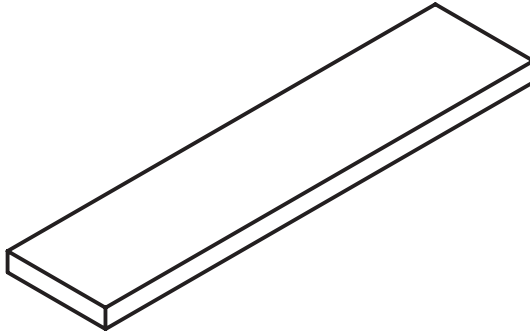




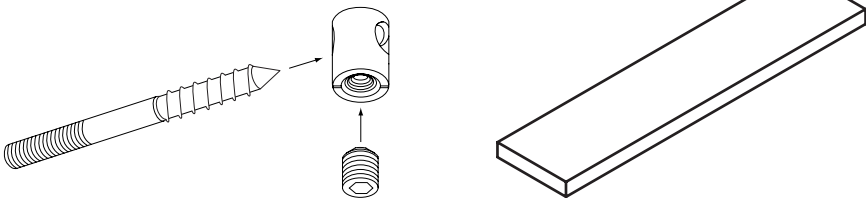
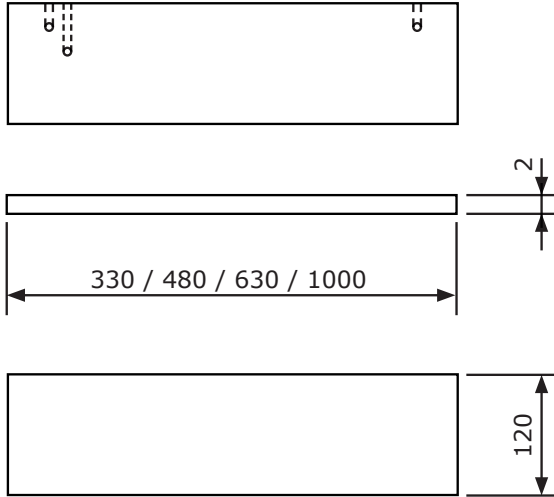
DZIGNSTONE

PREMIUM SOLID SURFACE

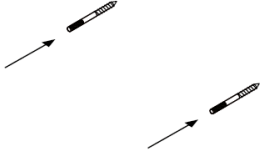
LEGGER 2 CM
ÉTAGÈRE 2 CM
REGAL 2 CM
SHELF 2 CM



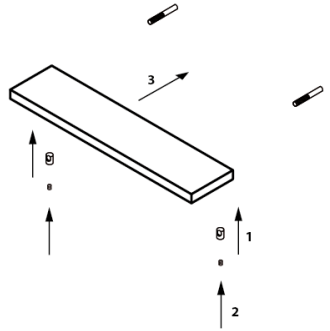
MONTAGEHANDLEIDING
INSTRUCTIONS D'INSTALLATION
INSTALLATIONSANLEITUNG
INSTALLATION INSTRUCTIONS



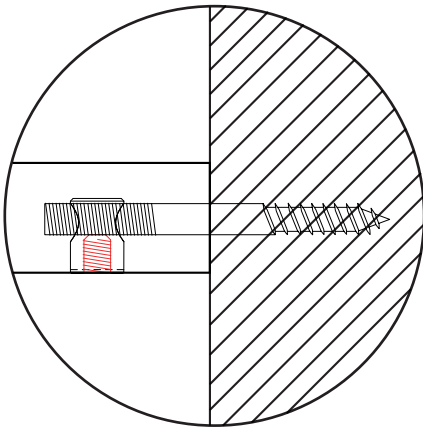
1



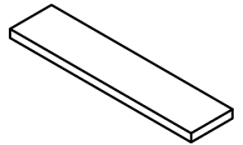
2A



2B



3





A brand by Group Nivelles

www.dzignstone.be • sales@groupnivelles.com
T: +32(0)11 68 96 68 • Ambachtsweg 14 • B-3890 Gingelom